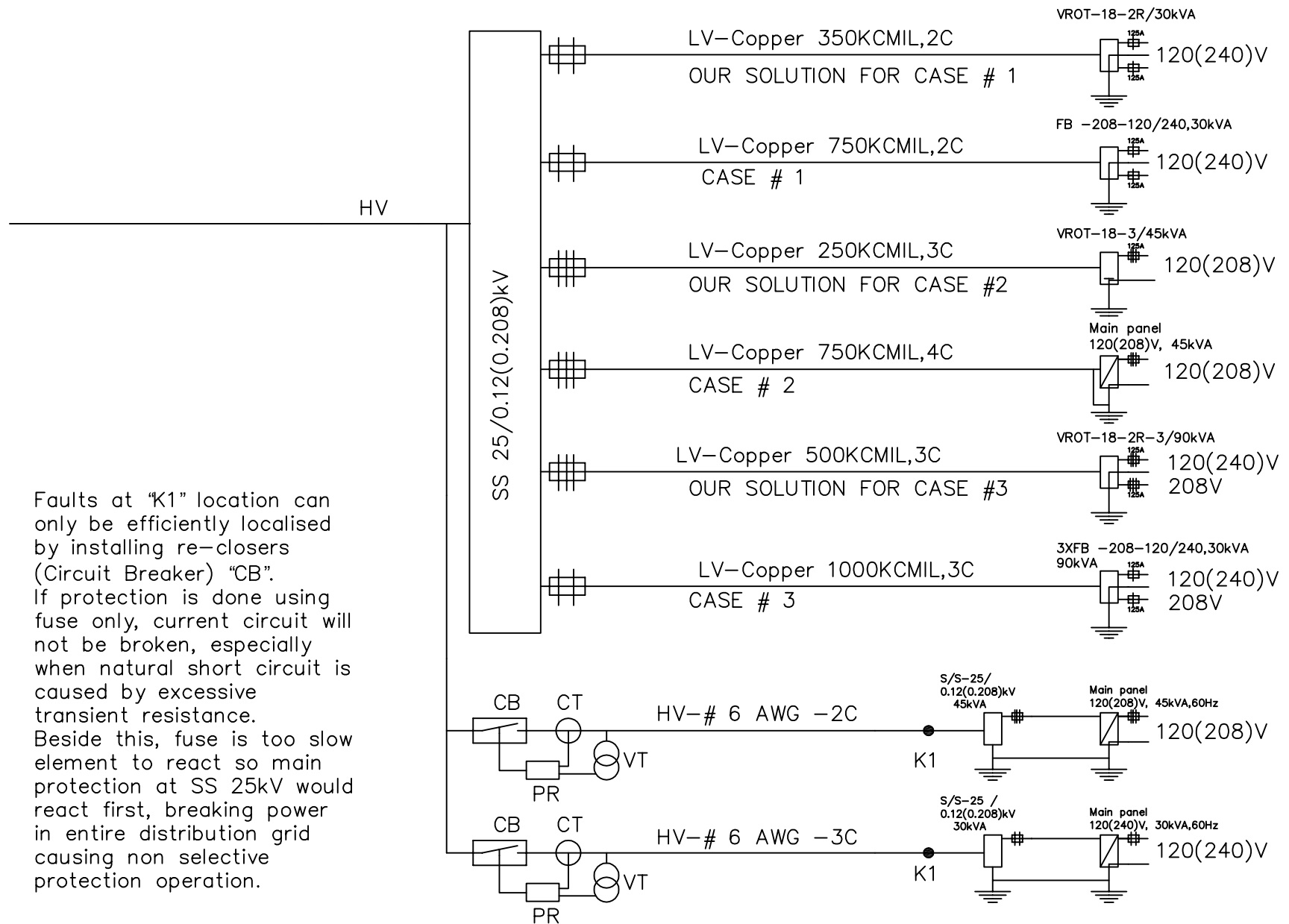


No part of this drawing may be reproduced or utilized in any form or by any means electronic and mechanical, including photocopying and microfilm, without permission in writing from the authority of ENERGO - GROUP

Crtez ili dio ovog crteza ne može biti reprodukovan ili korišten u bilo kojoj formi ili na bilo koji način, elektronski ili mehanički, uključujući fotokopiranje i mikrofilm, bez pismenog odobrenja ENERGO-GROUP

Faults at "K1" location can only be efficiently localised by installing re-closers (Circuit Breaker) "CB". If protection is done using fuse only, current circuit will not be broken, especially when natural short circuit is caused by excessive transient resistance. Beside this, fuse is too slow element to react so main protection at SS 25kV would react first, breaking power in entire distribution grid causing non selective protection operation.

DISTANCE ———— 0m ———— 400m



Tested by		Drawn	Z.BABIC	REVISION	DESCRIPTION	DATE	Distributiongrid wit VROT 18 installation	0
As eected		Checked by	B.LALIC					
CHANGED WITH		Standardised	A.LEMEZ					EG.7000/10
CHANGED BY	P=	M: 1:1	BOOK No	COPY No	ENCLOSURE No		VROT 18	SHEETS 2 SHEET 2



ENERGO - GROUP
I.SARAJEVO
ENGINEERING DIVISION
Electrical project department