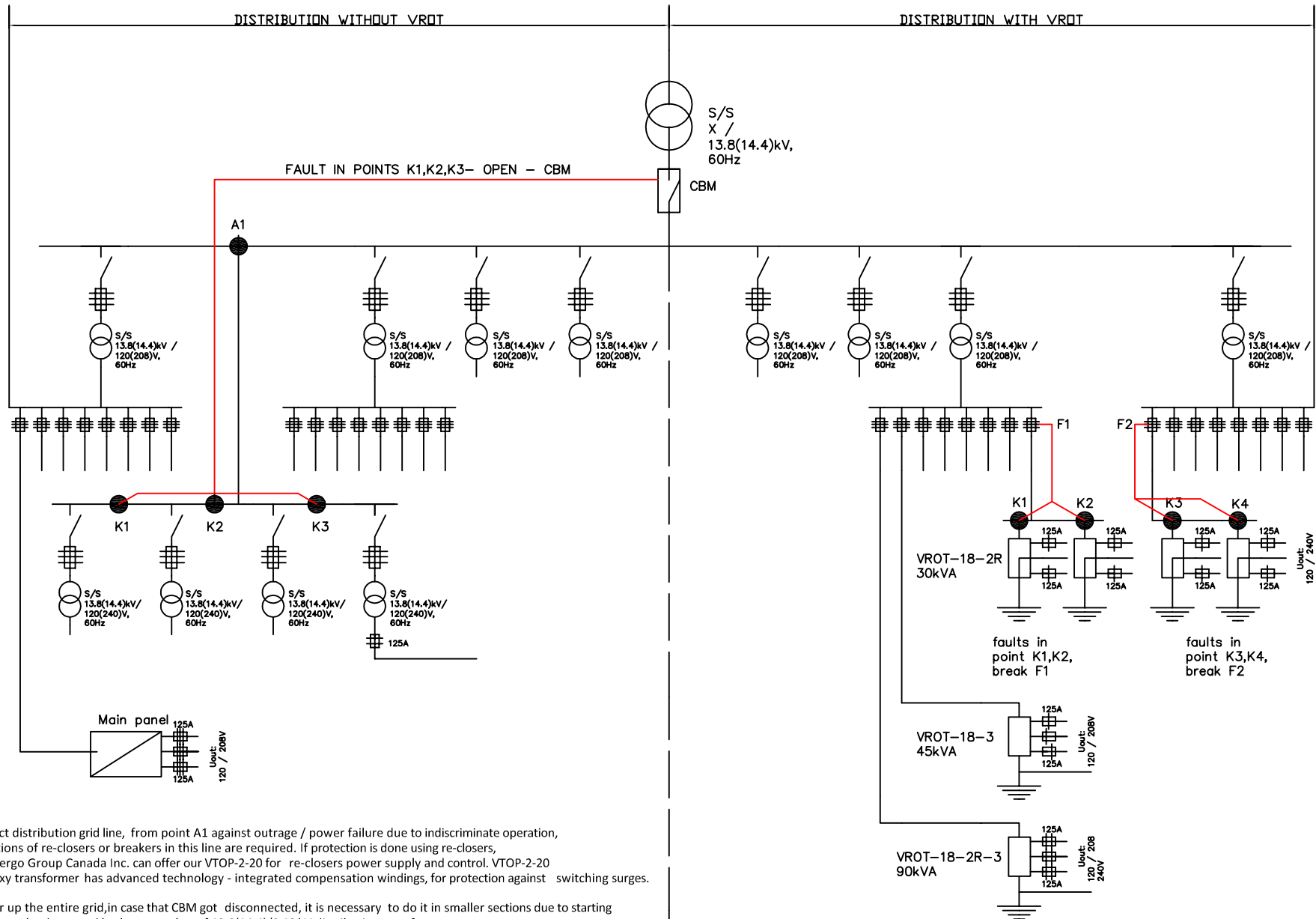


No part of this drawing may be reproduced or utilized in any form or by any means electronic and mechanical, including photocopying and microfilm, without permission in writing from the authority of ENERGO - GROUP

Crtez ili dio ovog crteza ne može biti reprodukovano ili korišten u bilo kojoj formi ili na bilo koji način, elektronski ili mehanički, uključujući fotokopiranje i mikrofilm, bez pismenog odobrenja ENERGO-GROUP



Notes:

- To protect distribution grid line, from point A1 against outage / power failure due to indiscriminate operation, installations of re-closers or breakers in this line are required. If protection is done using re-closers, than Energo Group Canada Inc. can offer our VTOP-2-20 for re-closers power supply and control. VTOP-2-20 dry epoxy transformer has advanced technology - integrated compensation windings, for protection against switching surges.
- To power up the entire grid, in case that CBM got disconnected, it is necessary to do it in smaller sections due to starting current overloads created by large number of 13.8(14.4)/0.12 kV distribution transformers.
- If fuse has been used as protection against natural short circuits there is a big chance that fuse would not be triggered because of enormous transient resistance at the fault location. This can create excessive voltage potential and danger to people walking in the vicinity of the fault. If this fault happens close to the grounded transformer substation, excessive potential will be transferred into the transformer substation.

Remarks: numbers of conductors in low voltage cables required to supply power to VROT-18-2R is 2C, VROT-18-3 and VROT-18-2R-3 is 3C

Tested by		Drawn	Z.BABIC			ENERGO - GROUP I.SARAJEVO ENGINEERING DIVISION	Reconstruction of distribution grid for VROT -18	0
As eected		Checked by	B.LALIC	REVISION	DESCRIPTION		DATE	
CHANGED WITH		Standardised	A.LEMEZ				Impact failure comparison	EG.7000/10
CHANGED BY		P=	M: 1:1	BOOK No	COPY No	ENCLOSURE No		SHEETS 2 SHEET 1



Electrical project department